

Engine 4TNV98T  
Engine power 63,9 kW - 86,9 HP  
Operating Weight 4.350 kg

# ESK 190

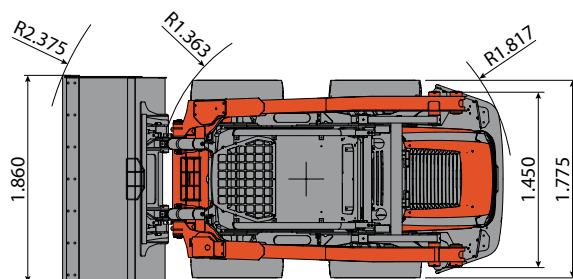
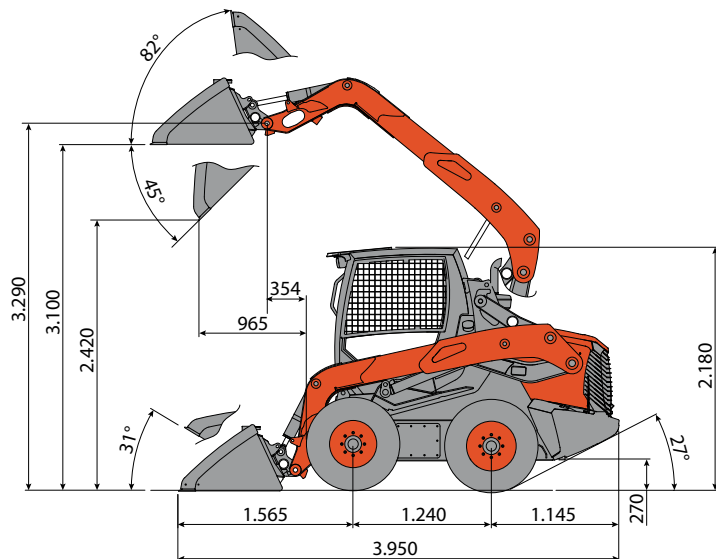
Concrete solutions. Always



## TECHNICALS SPECIFICATIONS

Operating weight	kg	4.350
<b>ENGINE</b>		
Type	YANMAR 4TNV98T EU Stage IIIA EPA Tier 3	
Max Power (2.600 rpm)	kW - HP	63,9 - 86,9
Max torque	Nm	296,1 (1.850 rpm)
Displacement	cc	3.319
Number of cylinders	n°	4
Cooling	water	
Consumption	lt/h	9
Alternator	V (A)	12 (80)
Battery	V (Ah)	12 (100/850)
<b>HYDRAULIC SYSTEM</b>		
Pump type	N° 1 with variable displacement axial piston pumps with load sensing REXROTH	
Pump capacity	lt/min	160
Max. circuit calibration pressure	bar	280
High Flow System (standard): Max capacity Max pressure	lt/min bar	160 280
<b>TRANSMISSION</b>		
Type	Hydrostatic with electro-hydraulic tandem pump and radial pistons REXROTH gearboxes	
Travelling speed	km/h	1ª: 0 ÷ 9,0 / 2ª: 0 ÷ 18,0
Max Traction force	daN	4.450
Dimensions tires	12x16.5	
<b>BRAKES</b>		
Service brakes	Hydrostatic	
Parking brakes	Negative with multiple disks into oil bath, integrated on the gearboxes at electrohydraulic control	
Emergency brakes	Electrohydraulic control, acting on parking brakes (integrated on the gearboxes)	
<b>PERFORMANCES</b>		
Upsetting load (ISO 14397)	kg	3.300
Operating load (ISO 14397, no more than 50% of tipping load)	kg	1.650
Teeth breakout force	daN	3.985
Standard bucket capacity	m³	0,55
Standard bucket width	mm	1.860
Max slope	60% - 30°	
<b>FILLINGS</b>		
Fuel tank	lt	110
Hydraulic oil tank	lt	55
Hydraulic circuit capacity	lt	93
Cooling system capacity	lt	12
Engine oil	lt	6
<b>CONTROLS</b>		
Type	Ergonomic joystick with electronic controls and onboard safety lock	
Translation	Electro-hydraulic control on left hand joystick	
Services	Electric control with right hand joystick for lifting and bucket	
Lifting mechanism	Vertical lifting boom with a standard self-levelling system for the bucket (only for boom rising)	

# ESK 190



- The ROPS (ISO 3471) – FOPS (ISO 3449) engineer standards manufactured cab or canopy.
- Front and rear lights for night-road use and working.



**EUROCOMACH**

Sampierana S.p.A.

47021 S.Piero in Bagno (FC)  
via Leonardo da Vinci, 40  
Tel +39 0543.904211  
Fax +39 0543.918520  
www.eurocomach.com